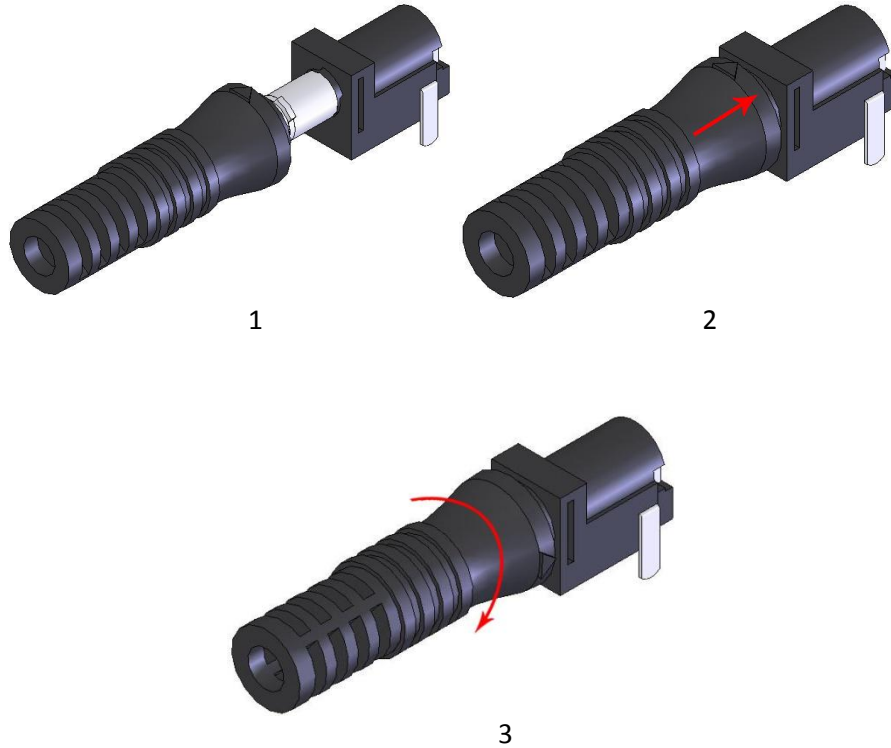


Locking DC Power Connector Instructions

To Lock:

1. Align side metal tabs on plug with opening in jack. Arrow on plug should line up with middle of the jack's top ledge.
2. Push plug in to make connection.
3. Twist plug clockwise until it stops.



To Unlock:

1. Twist plug counterclockwise until it stops.
2. Pull plug out.

